

**Revision F:**

• MUZ-EF25/35/42VE - **E5**, **ER5**, **ET5**, MUZ-EF50VE - **E3**, **ER3**, **ET3** and MUZ-EF25/35VEH - **E4** have been added.

Please void OBB590 REVISED EDITION-E.

# OUTDOOR UNIT PARTS CATALOG

**No. OBB590  
REVISED EDITION-F**

## Models

**MUZ-EF25VE** - **E1**, **E2**, **E3**, **E4**, **E5**, **ER3**, **ER4**, **ER5**, **ET3**, **ET4**, **ET5**

**MUZ-EF25VEH** - **E1**, **E2**, **E3**, **E4**, **ER2**, **ER3**, **ET2**, **ET3**

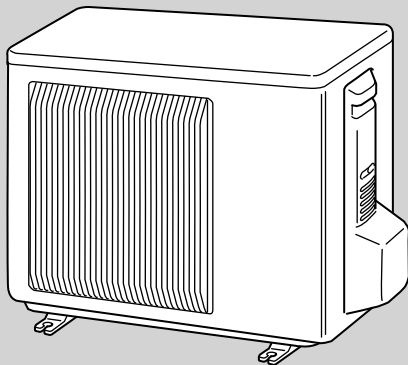
**MUZ-EF35VE** - **E1**, **E2**, **E3**, **E4**, **E5**, **ER3**, **ER4**, **ER5**, **ET3**, **ET4**, **ET5**

**MUZ-EF35VEH** - **E1**, **E2**, **E3**, **E4**, **ER2**, **ER3**, **ET2**, **ET3**

**MUZ-EF42VE** - **E1**, **E2**, **E3**, **E4**, **E5**, **ER3**, **ER4**, **ER5**, **ET3**, **ET4**, **ET5**

**MUZ-EF50VE** - **E1**, **E2**, **E3**, **ER2**, **ER3**, **ET2**, **ET3**

MUZ-EF25VE MUZ-EF25VEH  
MUZ-EF35VE MUZ-EF35VEH  
MUZ-EF42VE



## CONTENTS

1. RoHS PARTS LIST ..... 2
2. OPTIONAL PARTS ..... 24

**SERVICE MANUAL (OBH590)**

**NOTE:**

RoHS compliant products have <G> mark on the spec name plate.

### Revision A:

- Back panels for MUZ-EF35/42VE - [E1] have been changed.

### Revision B:

- MUZ-EF25/35/42/50VE - [E2] and MUZ-EF25/35VEH - [E2] have been added.

### Revision C:

- MUZ-EF25/35/42VE - [E3], MUZ-EF25/35/42VE - [ER3], MUZ-EF50VE - [ER2] and MUZ-EF25/35VEH - [ER2] have been added.

### Revision D:

- MUZ-EF25/35/42VE - [ET3], MUZ-EF50VE - [ET2] and MUZ-EF25/35VEH - [ET2] have been added.

### Revision E:

- MUZ-EF25/35/42VE - [E4], [ER4], [ET4] and MUZ-EF25/35VEH - [E3], [ER3], [ET3] have been added.

### Revision F:

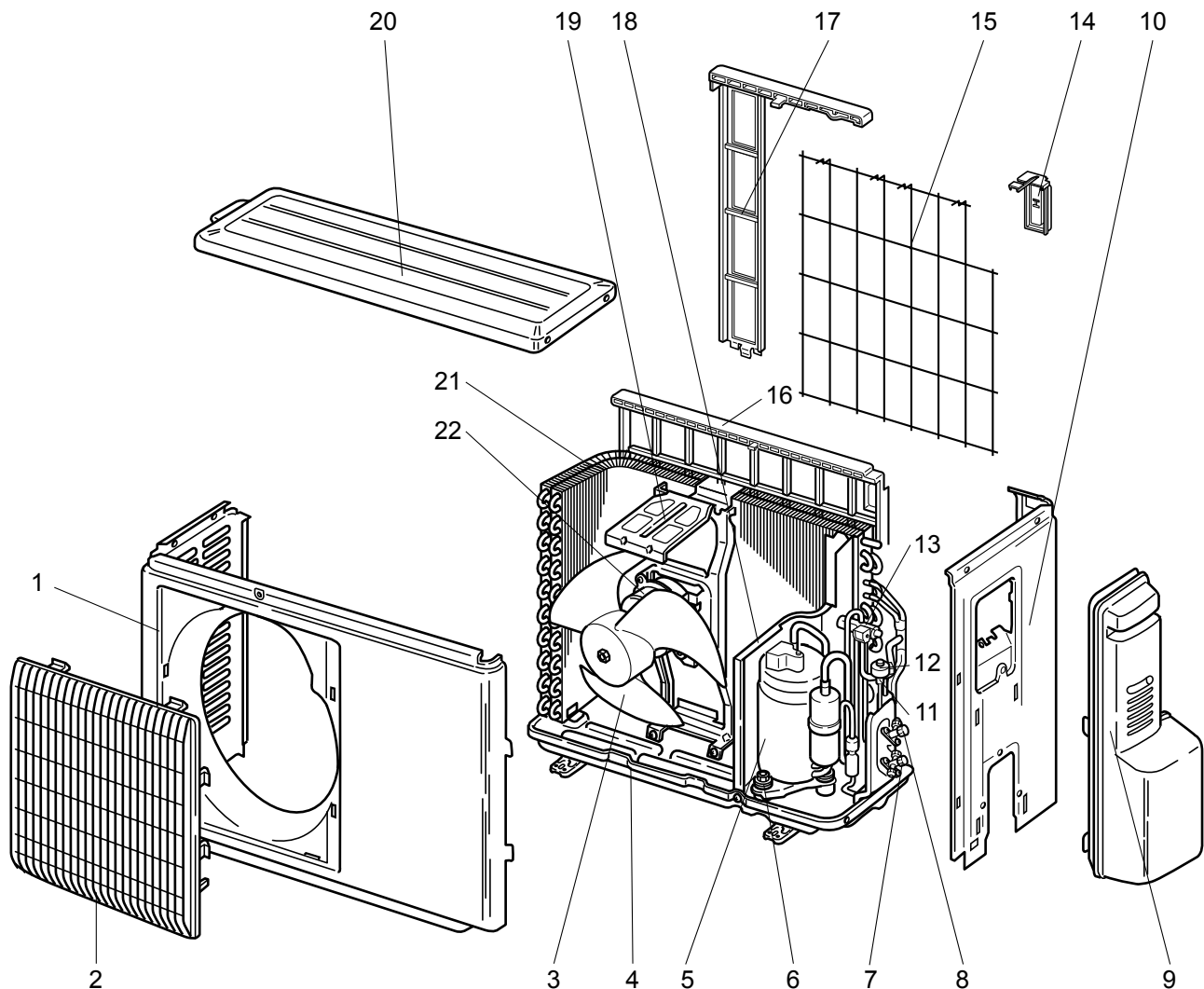
- MUZ-EF25/35/42VE - [E5], [ER5], [ET5], MUZ-EF50VE - [E3], [ER3], [ET3] and MUZ-EF25/35VEH - [E4] have been added.

## 1

## RoHS PARTS LIST

### MUZ-EF25VE

#### 1-1. OUTDOOR UNIT STRUCTURAL PARTS AND FUNCTIONAL PARTS



OBB590F

# RoHS PARTS LIST

## 1-1. OUTDOOR UNIT STRUCTURAL PARTS AND FUNCTIONAL PARTS

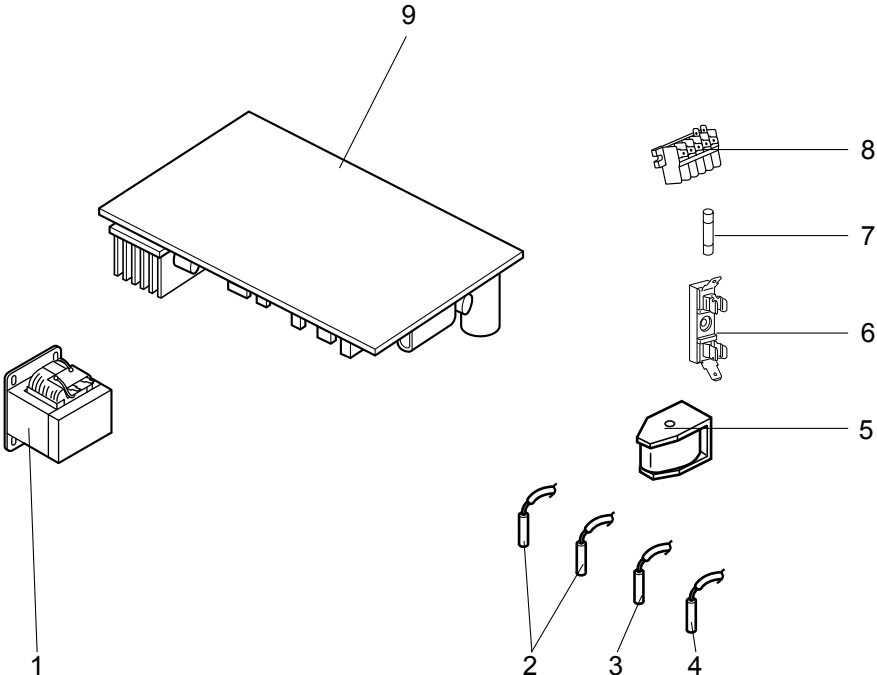
Part numbers that are circled are not shown in the illustration.

No.	RoHS	Part No.	Part Name	Symbol in Wiring Diagram	Q'ty/unit												Remarks
					MUZ-EF25												
					VE-E1	VE-E2	VE-E3	VE-E4	VE-E5	VE-ER3	VE-ER4	VE-ER5	VE-ET3	VE-ET4	VE-ET5		
1	G	E12 927 232	CABINET		1	1	1	1	1	1	1	1	1	1	1	1	
2	G	E12 927 521	GRILLE		1	1	1	1	1	1	1	1	1	1	1	1	
3	G	E12 927 501	PROPELLER FAN		1	1	1	1	1	1	1	1	1	1	1	1	
4	G	E12 D69 290	BASE		1	1	1	1	1	1	1	1	1	1	1	1	
5	G	E12 G10 900	COMPRESSOR	MC	1	1	1	1	1	1	1	1	1	1	1	1	KNB073FKFMC
6	G	E12 065 506	COMPRESSOR RUBBER SET		3	3	3	3	3	3	3	3	3	3	3	3	3 RUBBERS/SET
7	G	E12 D69 661	STOP VALVE (GAS)		1	1	1	1	1	1	1	1	1	1	1	1	ø9.52
8	G	E12 D58 662	STOP VALVE (LIQUID)		1	1	1	1	1	1	1	1	1	1	1	1	ø6.35
9	G	E12 927 245	SERVICE PANEL		1	1	1	1	1	1	1	1	1	1	1	1	
10	G	E12 G11 233	BACK PANEL		1	1	1	1	1	1	1	1	1	1	1	1	
11	G	E12 927 640	EXPANSION VALVE		1	1	1	1	1	1	1	1	1	1	1	1	
12	G	E12 G10 493	EXPANSION VALVE COIL	LEV	1	1	1	1	1	1	1	1	1	1	1	1	
13	G	E12 927 961	4-WAY VALVE		1	1	1	1	1	1	1	1	1	1	1	1	
14	G	E12 928 079	THERMO HOLDER				1	1	1	1	1	1	1	1	1	1	
15	G	E12 928 525	CONDENSER WIRE NET				1	1	1	1	1	1	1	1	1	1	
16	G	E12 B83 523	CONDENSER NET		1	1											
17	G	E12 928 523	CONDENSER NET				1	1	1	1	1	1	1	1	1	1	
18	G	E12 G10 293	SEPARATOR		1	1	1	1	1	1	1	1	1	1	1	1	
19	G	E12 927 515	MOTOR SUPPORT		1	1	1	1	1	1	1	1	1	1	1	1	
20	G	E12 927 297	TOP PANEL		1	1	1	1	1	1	1	1	1	1	1	1	
21	G	E12 G10 630	OUTDOOR HEAT EXCHANGER		1	1	1	1	1	1	1	1	1	1	1	1	
22	G	E12 G11 301	OUTDOOR FAN MOTOR	MF	1	1	1			1			1				RC0J50-□□
	G	E12 P03 301					1	1		1	1		1	1			
23	G	E12 927 937	CAPILLARY TUBE		1	1	1	1	1	1	1	1	1	1	1	1	ø3.0×ø2.0×240
24	G	E12 838 704	DRAIN SOCKET		1	1	1	1	1	1	1	1	1	1	1	1	

# RoHS PARTS LIST

MUZ-EF25VE

## 1-2. OUTDOOR UNIT ELECTRICAL PARTS



# RoHS PARTS LIST

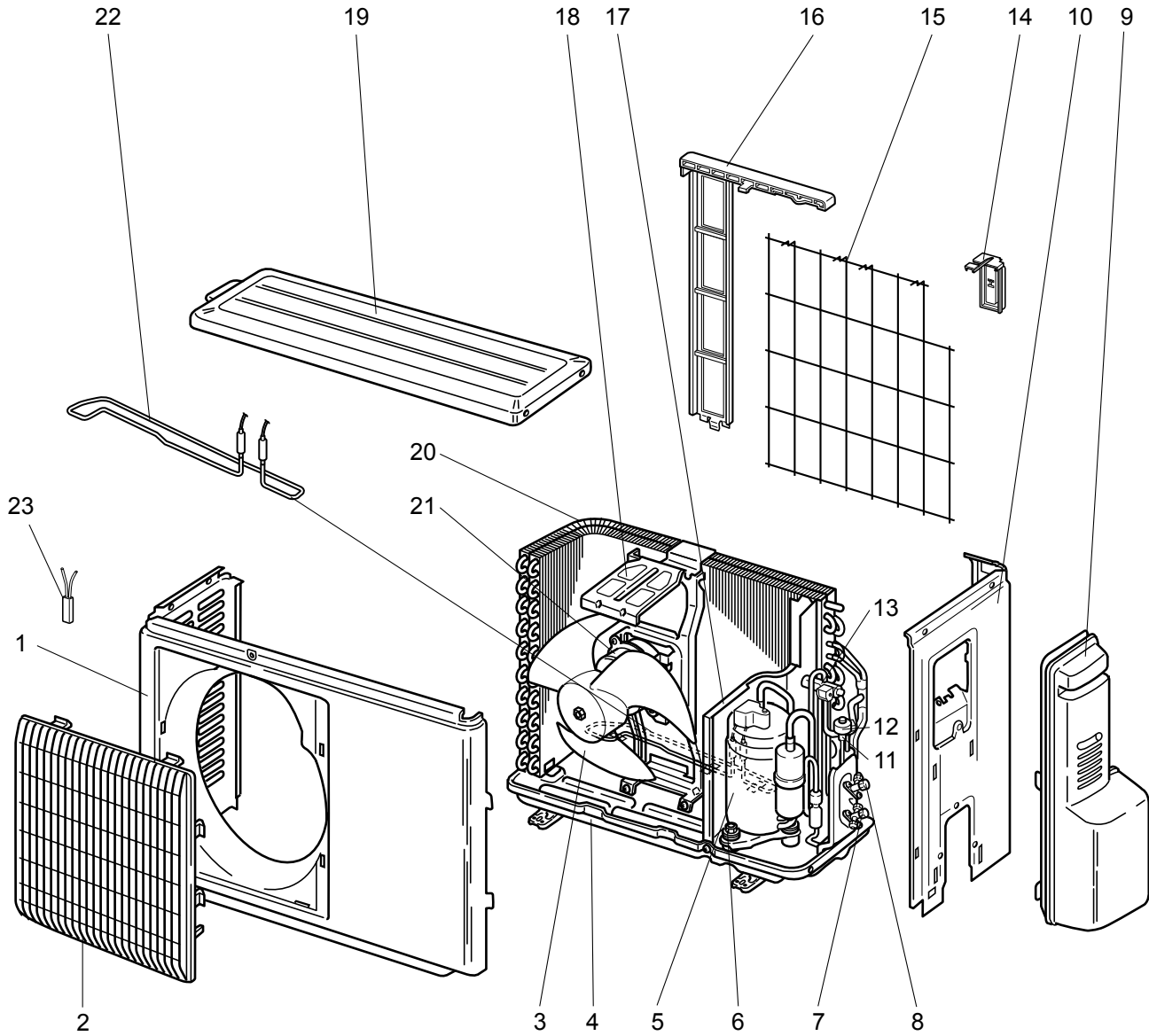
## 1-2. OUTDOOR UNIT ELECTRICAL PARTS

No.	RoHS	Part No.	Part Name	Symbol in Wiring Diagram	Q'ty/unit												Remarks
					MUZ-EF25												
					VE-E1	VE-E2	VE-E3	VE-E4	VE-E5	VE-ER3	VE-ER4	VE-ER5	VE-ET3	VE-ET4	VE-ET5		
1	G	E12 G10 337	REACTOR	L61	1	1	1	1	1	1	1	1	1	1	1	1	
2	G	E12 C34 306	THERMISTOR SET	RT61, RT62	1	1	1	1	1	1	1	1	1	1	1	1	DEFROST, DIS-CHARGE
3	G	E12 G10 309	AMBIENT TEMPERATURE THERMISTOR	RT65	1	1	1	1	1	1	1	1	1	1	1	1	
4	G	E12 C34 307	OUTDOOR HEAT EXCHANGER TEMPERATURE THERMISTOR	RT68	1	1	1	1	1	1	1	1	1	1	1	1	
5	G	E12 G10 490	R.V. COIL	21S4	1	1	1	1	1	1	1	1	1	1	1	1	
6	G	E12 735 241	FUSE HOLDER		1	1	1	1	1	1	1	1	1	1	1	1	
7	G	E12 735 382	FUSE	F61	1	1	1	1	1	1	1	1	1	1	1	1	T20AL250V
8	G	E12 T95 374	TERMINAL BLOCK	TB	1	1	1	1	1	1	1	1	1	1	1	1	5 P
9	G	E12 G10 451	INVERTER P.C. BOARD		1	1	1			1			1				Including heat sink and RT64
	G	E12 P03 451						1	1		1	1		1	1		

# RoHS PARTS LIST

MUZ-EF25VEH

## 1-3. OUTDOOR UNIT STRUCTURAL PARTS AND FUNCTIONAL PARTS



# RoHS PARTS LIST

## 1-3. OUTDOOR UNIT STRUCTURAL PARTS AND FUNCTIONAL PARTS

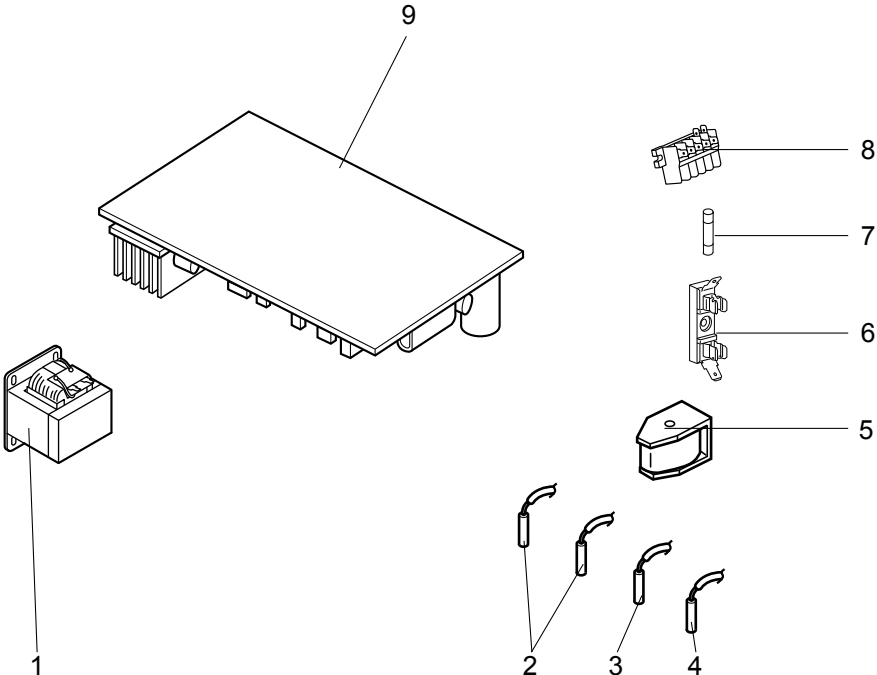
Part number that is circled is not shown in the illustration.

No.	RoHS	Part No.	Part Name	Symbol in Wiring Diagram	Q'ty/unit								Remarks
					MUZ-EF25								
					VEH-E1	VEH-E2	VEH-E3	VEH-E4	VEH-ER2	VEH-ER3	VEH-ET2	VEH-ET3	
1	G	E12 927 232	CABINET		1	1	1	1	1	1	1	1	
2	G	E12 927 521	GRILLE		1	1	1	1	1	1	1	1	
3	G	E12 927 501	PROPELLER FAN		1	1	1	1	1	1	1	1	
4	G	E12 D70 290	BASE		1	1	1	1	1	1	1	1	
5	G	E12 G10 900	COMPRESSOR	MC	1	1	1	1	1	1	1	1	KNB073FKFMC
6	G	E12 065 506	COMPRESSOR RUBBER SET		3	3	3	3	3	3	3	3	3 RUBBERS/SET
7	G	E12 D69 661	STOP VALVE (GAS)		1	1	1	1	1	1	1	1	ø9.52
8	G	E12 D58 662	STOP VALVE (LIQUID)		1	1	1	1	1	1	1	1	ø6.35
9	G	E12 927 245	SERVICE PANEL		1	1	1	1	1	1	1	1	
10	G	E12 G13 233	BACK PANEL		1	1	1	1	1	1	1	1	
11	G	E12 927 640	EXPANSION VALVE		1	1	1	1	1	1	1	1	
12	G	E12 G10 493	EXPANSION VALVE COIL	LEV	1	1	1	1	1	1	1	1	
13	G	E12 927 961	4-WAY VALVE		1	1	1	1	1	1	1	1	
14	G	E12 928 079	THERMO HOLDER		1	1	1	1	1	1	1	1	
15	G	E12 928 525	CONDENSER WIRE NET		1	1	1	1	1	1	1	1	
16	G	E12 928 523	CONDENSER NET		1	1	1	1	1	1	1	1	
17	G	E12 G13 293	SEPARATOR		1	1	1	1	1	1	1	1	
18	G	E12 927 515	MOTOR SUPPORT		1	1	1	1	1	1	1	1	
19	G	E12 927 297	TOP PANEL		1	1	1	1	1	1	1	1	
20	G	E12 G10 630	OUTDOOR HEAT EXCHANGER		1	1	1	1	1	1	1	1	
21	G	E12 G11 301	OUTDOOR FAN MOTOR	MF	1	1			1		1		RC0J50-□□
	G	E12 P03 301					1	1		1		1	
22	G	E12 C36 526	DEFROST HEATER	H	1	1	1	1	1	1	1	1	
23	G	E12 C36 381	HEATER PROTECTOR	26H	1	1	1	1	1	1	1	1	
②4	G	E12 927 937	CAPILLARY TUBE		1	1	1	1	1	1	1	1	ø3.0×ø2.0×240

# RoHS PARTS LIST

MUZ-EF25VEH

## 1-4. OUTDOOR UNIT ELECTRICAL PARTS





# RoHS PARTS LIST

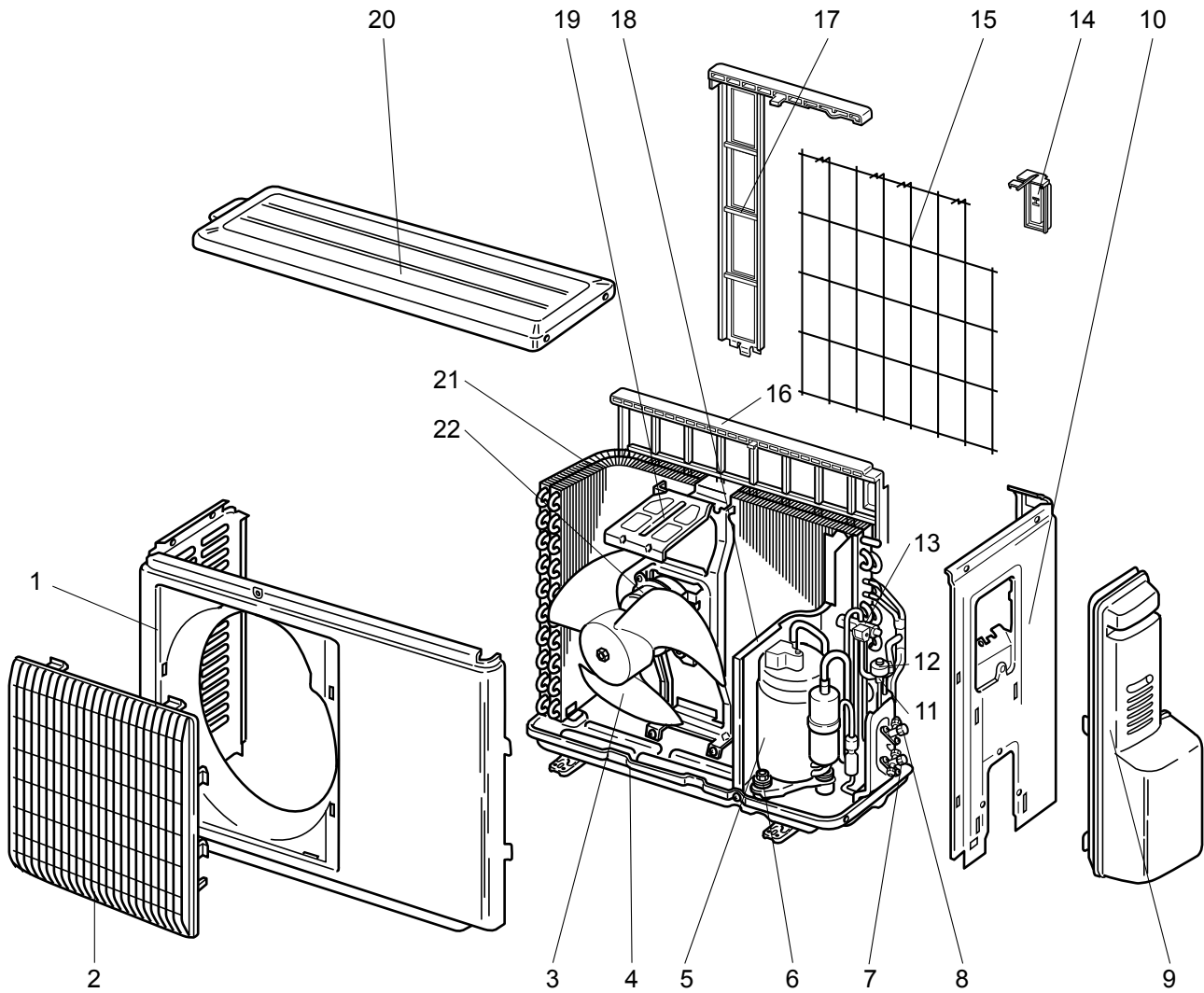
## 1-4. OUTDOOR UNIT ELECTRICAL PARTS

No.	RoHS	Part No.	Part Name	Symbol in Wiring Diagram	Q'ty/unit								Remarks
					MUZ-EF25								
					VEH-E1	VEH-E2	VEH-E3	VEH-E4	VEH-ER2	VEH-ER3	VEH-ET2	VEH-ET3	
1	G	E12 G10 337	REACTOR	L61	1	1	1	1	1	1	1	1	
2	G	E12 C34 306	THERMISTOR SET	RT61, RT62	1	1	1	1	1	1	1	1	DEFROST, DIS-CHARGE
3	G	E12 G10 309	AMBIENT TEMPERATURE THERMISTOR	RT65	1	1	1	1	1	1	1	1	
4	G	E12 C34 307	OUTDOOR HEAT EXCHANGER TEMPERATURE THERMISTOR	RT68	1	1	1	1	1	1	1	1	
5	G	E12 G10 490	R.V. COIL	21S4	1	1	1	1	1	1	1	1	
6	G	E12 735 241	FUSE HOLDER		1	1	1	1	1	1	1	1	
7	G	E12 735 382	FUSE	F61	1	1	1	1	1	1	1	1	T20AL250V
8	G	E12 T95 374	TERMINAL BLOCK	TB	1	1	1	1	1	1	1	1	5 P
9	G	E12 G13 451	INVERTER P.C. BOARD		1	1			1		1		Including heat sink and RT64
	G	E12 P09 451					1	1		1		1	

# RoHS PARTS LIST

MUZ-EF35VE

## 1-5. OUTDOOR UNIT STRUCTURAL PARTS AND FUNCTIONAL PARTS



# RoHS PARTS LIST

## 1-5. OUTDOOR UNIT STRUCTURAL PARTS AND FUNCTIONAL PARTS

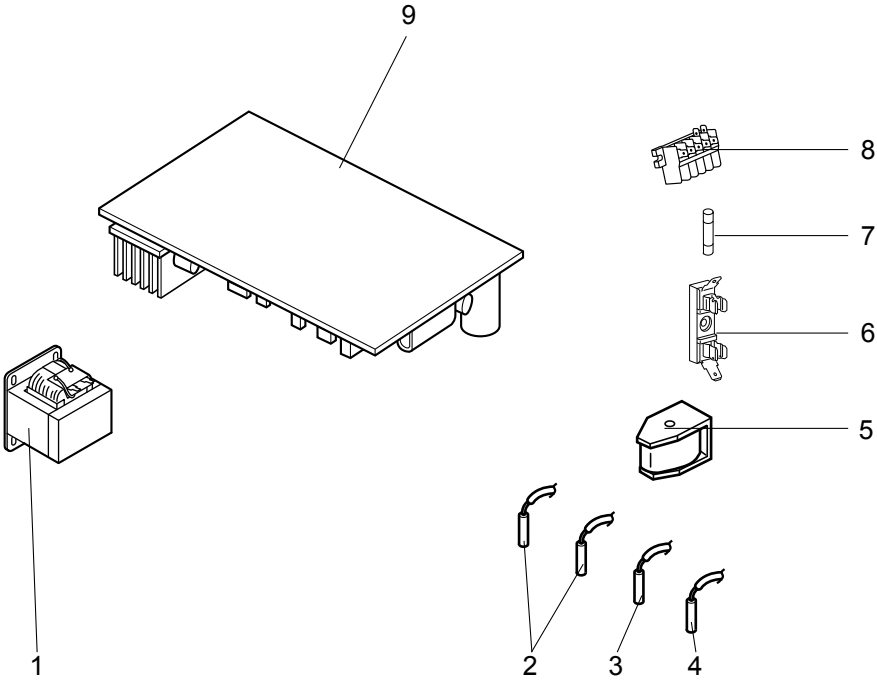
Part numbers that are circled are not shown in the illustration.

No.	RoHS	Part No.	Part Name	Symbol in Wiring Diagram	Q'ty/unit												Remarks
					MUZ-EF35												
					VE-E1	VE-E2	VE-E3	VE-E4	VE-E5	VE-ER3	VE-ER4	VE-ER5	VE-ET3	VE-ET4	VE-ET5		
1	G	E12 927 232	CABINET		1	1	1	1	1	1	1	1	1	1	1	1	
2	G	E12 927 521	GRILLE		1	1	1	1	1	1	1	1	1	1	1	1	
3	G	E12 927 501	PROPELLER FAN		1	1	1	1	1	1	1	1	1	1	1	1	
4	G	E12 D69 290	BASE		1	1	1	1	1	1	1	1	1	1	1	1	
5	G	E12 G11 900	COMPRESSOR	MC	1	1	1	1	1	1	1	1	1	1	1	1	KNB092FFAMC
6	G	E12 065 506	COMPRESSOR RUBBER SET		3	3	3	3	3	3	3	3	3	3	3	3	3 RUBBERS/SET
7	G	E12 D69 661	STOP VALVE (GAS)		1	1	1	1	1	1	1	1	1	1	1	1	ø9.52
8	G	E12 D58 662	STOP VALVE (LIQUID)		1	1	1	1	1	1	1	1	1	1	1	1	ø6.35
9	G	E12 927 245	SERVICE PANEL		1	1	1	1	1	1	1	1	1	1	1	1	
10	G	E12 G12 233	BACK PANEL		1	1	1	1	1	1	1	1	1	1	1	1	
11	G	E12 927 640	EXPANSION VALVE		1	1	1	1	1	1	1	1	1	1	1	1	
12	G	E12 G10 493	EXPANSION VALVE COIL	LEV	1	1	1	1	1	1	1	1	1	1	1	1	
13	G	E12 927 961	4-WAY VALVE		1	1	1	1	1	1	1	1	1	1	1	1	
14	G	E12 930 079	THERMO HOLDER				1	1	1	1	1	1	1	1	1	1	
15	G	E12 930 525	CONDENSER WIRE NET				1	1	1	1	1	1	1	1	1	1	
16	G	E12 929 523	CONDENSER NET		1	1											
17	G	E12 930 523	CONDENSER NET				1	1	1	1	1	1	1	1	1	1	
18	G	E12 G11 293	SEPARATOR		1	1	1	1	1	1	1	1	1	1	1	1	
19	G	E12 929 515	MOTOR SUPPORT		1	1	1	1	1	1	1	1	1	1	1	1	
20	G	E12 927 297	TOP PANEL		1	1	1	1	1	1	1	1	1	1	1	1	
21	G	E12 G11 630	OUTDOOR HEAT EXCHANGER		1	1	1	1	1	1	1	1	1	1	1	1	
22	G	E12 G11 301	OUTDOOR FAN MOTOR	MF	1	1	1			1			1				RC0J50-□□
	G	E12 P03 301					1	1		1	1		1	1			
⑳	G	E12 927 937	CAPILLARY TUBE		1	1	1	1	1	1	1	1	1	1	1	1	ø3.0×ø2.0×240
㉑	G	E12 735 936	CAPILLARY TUBE		2	2	2	2	2	2	2	2	2	2	2	2	ø3.0×ø1.8×600
㉒	G	E12 838 704	DRAIN SOCKET		1	1	1	1	1	1	1	1	1	1	1	1	

# RoHS PARTS LIST

MUZ-EF35VE

## 1-6. OUTDOOR UNIT ELECTRICAL PARTS



# RoHS PARTS LIST

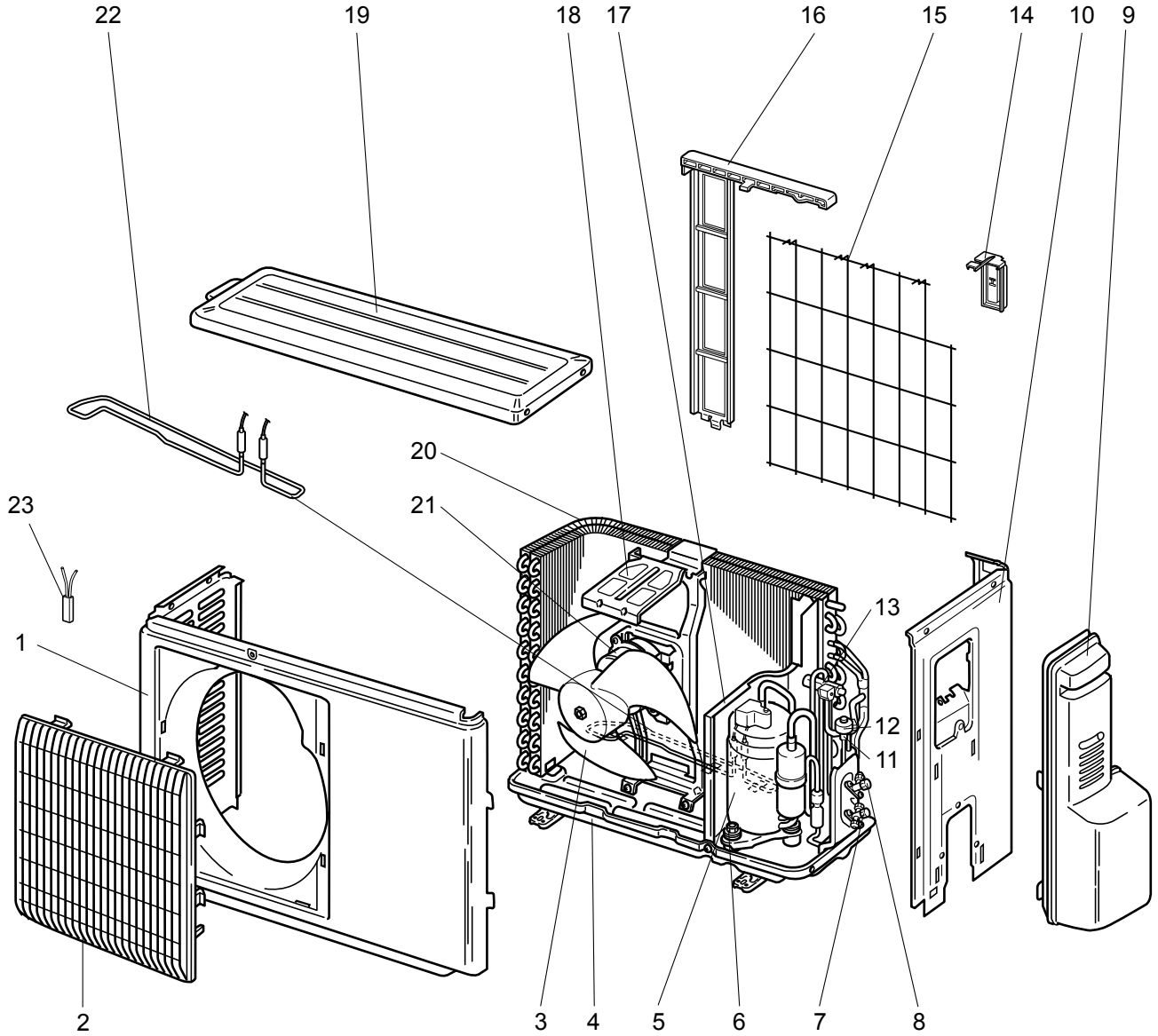
## 1-6. OUTDOOR UNIT ELECTRICAL PARTS

No.	RoHS	Part No.	Part Name	Symbol in Wiring Diagram	Q'ty/unit												Remarks
					MUZ-EF35												
					VE-E1	VE-E2	VE-E3	VE-E4	VE-E5	VE-ER3	VE-ER4	VE-ER5	VE-ET3	VE-ET4	VE-ET5		
1	G	E12 G11 337	REACTOR	L61	1	1	1	1	1	1	1	1	1	1	1	1	
2	G	E12 C34 306	THERMISTOR SET	RT61, RT62	1	1	1	1	1	1	1	1	1	1	1	1	DEFROST, DISCHARGE
3	G	E12 G10 309	AMBIENT TEMPERATURE THERMISTOR	RT65	1	1	1	1	1	1	1	1	1	1	1	1	
4	G	E12 C34 307	OUTDOOR HEAT EXCHANGER TEMPERATURE THERMISTOR	RT68	1	1	1	1	1	1	1	1	1	1	1	1	
5	G	E12 G10 490	R.V. COIL	21S4	1	1	1	1	1	1	1	1	1	1	1	1	
6	G	E12 735 241	FUSE HOLDER		1	1	1	1	1	1	1	1	1	1	1	1	
7	G	E12 735 382	FUSE	F61	1	1	1	1	1	1	1	1	1	1	1	1	T20AL250V
8	G	E12 T95 374	TERMINAL BLOCK	TB	1	1	1	1	1	1	1	1	1	1	1	1	5 P
9	G	E12 G11 451	INVERTER P.C. BOARD		1	1	1			1			1				Including heat sink and RT64
	G	E12 P04 451						1	1		1	1		1	1		

# RoHS PARTS LIST

MUZ-EF35VEH

## 1-7. OUTDOOR UNIT STRUCTURAL PARTS AND FUNCTIONAL PARTS



# RoHS PARTS LIST

## 1-7. OUTDOOR UNIT STRUCTURAL PARTS AND FUNCTIONAL PARTS

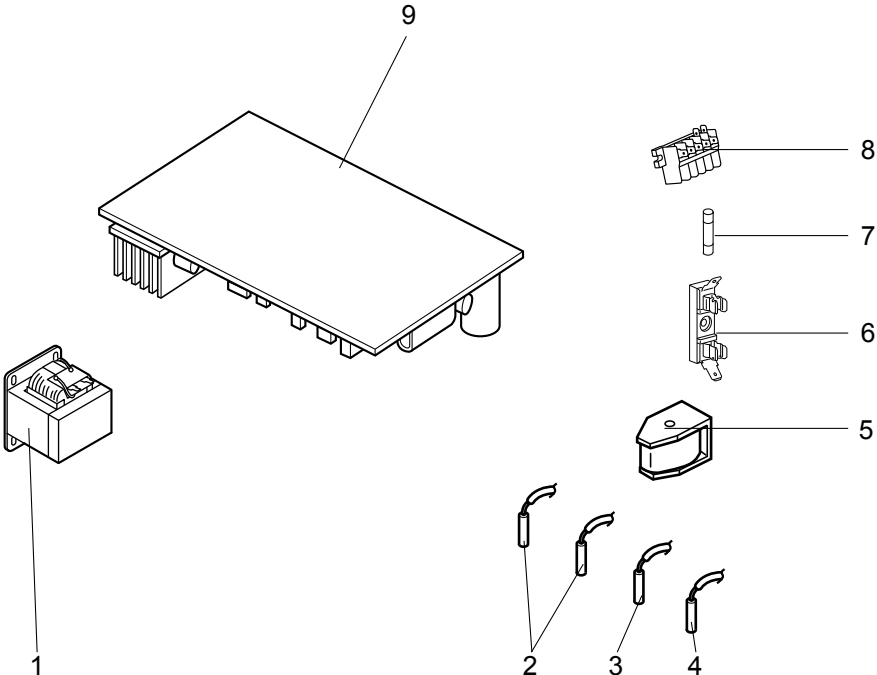
Part numbers that are circled are not shown in the illustration.

No.	RoHS	Part No.	Part Name	Symbol in Wiring Diagram	Q'ty/unit								Remarks
					MUZ-EF35								
					VEH- E1	VEH- E2	VEH- E3	VEH- E4	VEH- ER2	VEH- ER3	VEH- ET2	VEH- ET3	
1	G	E12 927 232	CABINET		1	1	1	1	1	1	1	1	
2	G	E12 927 521	GRILLE		1	1	1	1	1	1	1	1	
3	G	E12 927 501	PROPELLER FAN		1	1	1	1	1	1	1	1	
4	G	E12 D70 290	BASE		1	1	1	1	1	1	1	1	
5	G	E12 G11 900	COMPRESSOR	MC	1	1	1	1	1	1	1	1	KNB092FFAMC
6	G	E12 065 506	COMPRESSOR RUBBER SET		3	3	3	3	3	3	3	3	3 RUBBERS/SET
7	G	E12 D69 661	STOP VALVE (GAS)		1	1	1	1	1	1	1	1	ø9.52
8	G	E12 D58 662	STOP VALVE (LIQUID)		1	1	1	1	1	1	1	1	ø6.35
9	G	E12 927 245	SERVICE PANEL		1	1	1	1	1	1	1	1	
10	G	E12 G14 233	BACK PANEL		1	1	1	1	1	1	1	1	
11	G	E12 927 640	EXPANSION VALVE		1	1	1	1	1	1	1	1	
12	G	E12 G10 493	EXPANSION VALVE COIL	LEV	1	1	1	1	1	1	1	1	
13	G	E12 927 961	4-WAY VALVE		1	1	1	1	1	1	1	1	
14	G	E12 930 079	THERMO HOLDER		1	1	1	1	1	1	1	1	
15	G	E12 930 525	CONDENSER WIRE NET		1	1	1	1	1	1	1	1	
16	G	E12 930 523	CONDENSER NET		1	1	1	1	1	1	1	1	
17	G	E12 G14 293	SEPARATOR		1	1	1	1	1	1	1	1	
18	G	E12 929 515	MOTOR SUPPORT		1	1	1	1	1	1	1	1	
19	G	E12 927 297	TOP PANEL		1	1	1	1	1	1	1	1	
20	G	E12 G11 630	OUTDOOR HEAT EXCHANGER		1	1	1	1	1	1	1	1	
21	G	E12 G11 301	OUTDOOR FAN MOTOR	MF	1	1			1		1		RC0J50-□□
	G	E12 P03 301					1	1		1		1	
22	G	E12 C36 526	DEFROST HEATER	H	1	1	1	1	1	1	1	1	
23	G	E12 C36 381	HEATER PROTECTOR	26H	1	1	1	1	1	1	1	1	
②4	G	E12 927 937	CAPILLARY TUBE		1	1	1	1	1	1	1	1	ø3.0×ø2.0×240
②5	G	E12 735 936	CAPILLARY TUBE		2	2	2	2	2	2	2	2	ø3.0×ø1.8×600

# RoHS PARTS LIST

MUZ-EF35VEH

## 1-8. OUTDOOR UNIT ELECTRICAL PARTS





# RoHS PARTS LIST

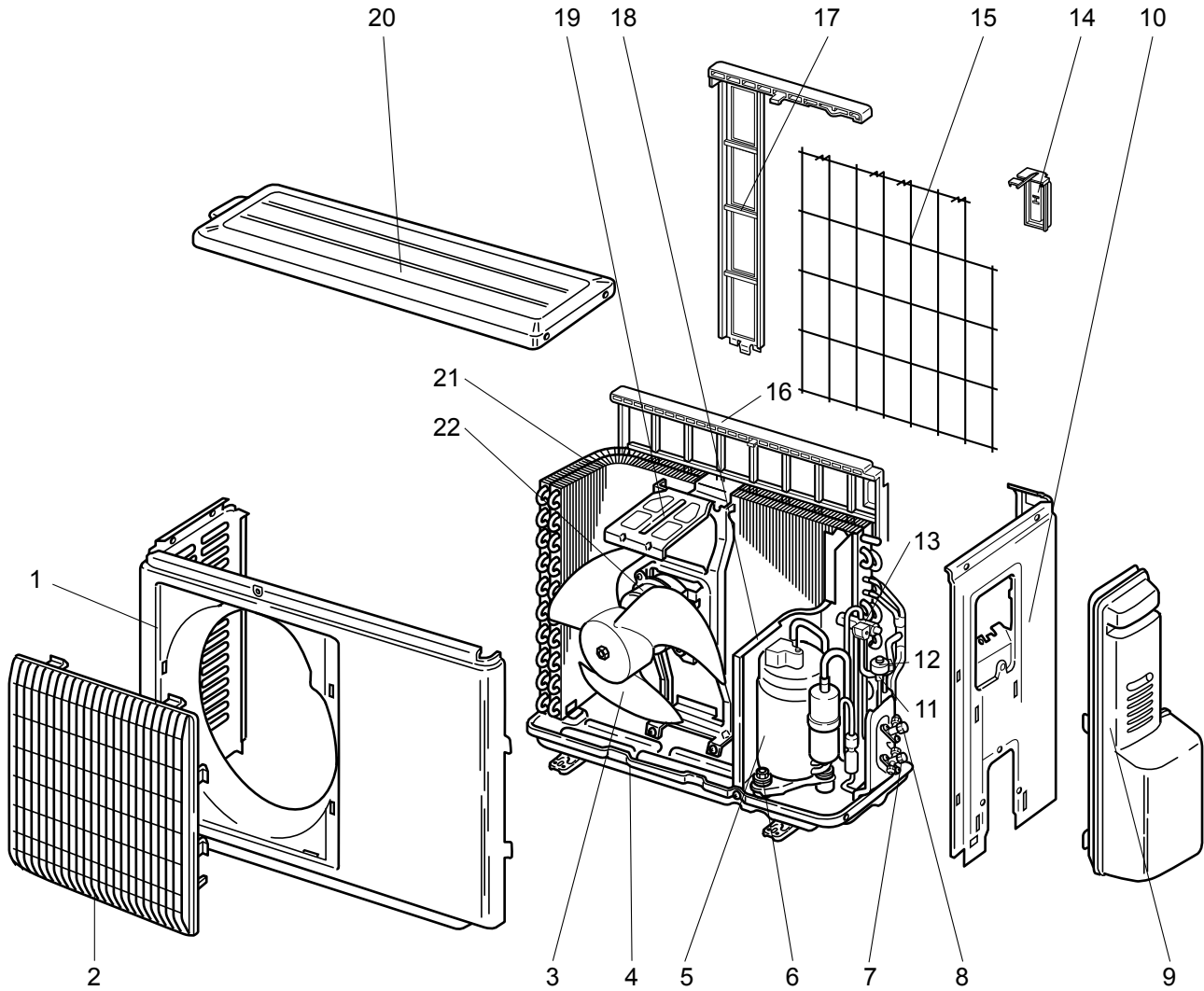
## 1-8. OUTDOOR UNIT ELECTRICAL PARTS

No.	RoHS	Part No.	Part Name	Symbol in Wiring Diagram	Q'ty/unit								Remarks
					MUZ-EF35								
					VEH-E1	VEH-E2	VEH-E3	VEH-E4	VEH-ER2	VEH-ER3	VEH-ET2	VEH-ET3	
1	G	E12 G11 337	REACTOR	L61	1	1	1	1	1	1	1	1	
2	G	E12 C34 306	THERMISTOR SET	RT61, RT62	1	1	1	1	1	1	1	1	DEFROST, DISCHARGE
3	G	E12 G10 309	AMBIENT TEMPERATURE THERMISTOR	RT65	1	1	1	1	1	1	1	1	
4	G	E12 C34 307	OUTDOOR HEAT EXCHANGER TEMPERATURE THERMISTOR	RT68	1	1	1	1	1	1	1	1	
5	G	E12 G10 490	R.V. COIL	21S4	1	1	1	1	1	1	1	1	
6	G	E12 735 241	FUSE HOLDER		1	1	1	1	1	1	1	1	
7	G	E12 735 382	FUSE	F61	1	1	1	1	1	1	1	1	T20AL250V
8	G	E12 T95 374	TERMINAL BLOCK	TB	1	1	1	1	1	1	1	1	5 P
9	G	E12 G14 451	INVERTER P.C. BOARD		1	1			1		1		Including heat sink and RT64
	G	E12 P10 451					1	1		1		1	

# RoHS PARTS LIST

MUZ-EF42VE

## 1-9. OUTDOOR UNIT STRUCTURAL PARTS AND FUNCTIONAL PARTS



# RoHS PARTS LIST

## 1-9. OUTDOOR UNIT STRUCTURAL PARTS AND FUNCTIONAL PARTS

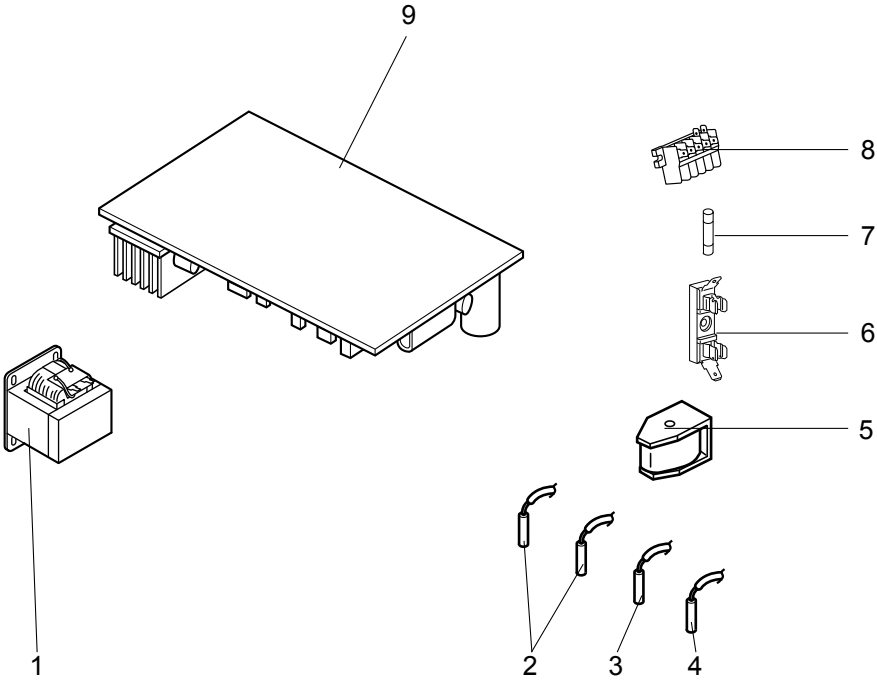
Part numbers that are circled are not shown in the illustration.

No.	RoHS	Part No.	Part Name	Symbol in Wiring Diagram	Q'ty/unit												Remarks
					MUZ-EF42												
					VE-E1	VE-E2	VE-E3	VE-E4	VE-E5	VE-ER3	VE-ER4	VE-ER5	VE-ET3	VE-ET4	VE-ET5		
1	G	E12 927 232	CABINET		1	1	1	1	1	1	1	1	1	1	1	1	
2	G	E12 927 521	GRILLE		1	1	1	1	1	1	1	1	1	1	1	1	
3	G	E12 927 501	PROPELLER FAN		1	1	1	1	1	1	1	1	1	1	1	1	
4	G	E12 D69 290	BASE		1	1	1	1	1	1	1	1	1	1	1	1	
5	G	E12 G12 900	COMPRESSOR	MC	1	1	1	1	1	1	1	1	1	1	1	1	SNB130FGAMT
6	G	E12 C34 506	COMPRESSOR RUBBER SET		3	3	3	3	3	3	3	3	3	3	3	3	3 RUBBERS/SET
7	G	E12 T95 661	STOP VALVE (GAS)		1	1	1	1	1	1	1	1	1	1	1	1	ø9.52
8	G	E12 T95 662	STOP VALVE (LIQUID)		1	1	1	1	1	1	1	1	1	1	1	1	ø6.35
9	G	E12 927 245	SERVICE PANEL		1	1	1	1	1	1	1	1	1	1	1	1	
10	G	E12 G15 233	BACK PANEL		1	1	1	1	1	1	1	1	1	1	1	1	
11	G	E12 A54 640	EXPANSION VALVE		1	1	1	1	1	1	1	1	1	1	1	1	
12	G	E12 G10 493	EXPANSION VALVE COIL	LEV	1	1	1	1	1	1	1	1	1	1	1	1	
13	G	E12 927 961	4-WAY VALVE		1	1	1	1	1	1	1	1	1	1	1	1	
14	G	E12 930 079	THERMO HOLDER				1	1	1	1	1	1	1	1	1	1	
15	G	E12 930 525	CONDENSER WIRE NET				1	1	1	1	1	1	1	1	1	1	
16	G	E12 929 523	CONDENSER NET		1	1											
17	G	E12 930 523	CONDENSER NET				1	1	1	1	1	1	1	1	1	1	
18	G	E12 G11 293	SEPARATOR		1	1	1	1	1	1	1	1	1	1	1	1	
19	G	E12 929 515	MOTOR SUPPORT		1	1	1	1	1	1	1	1	1	1	1	1	
20	G	E12 927 297	TOP PANEL		1	1	1	1	1	1	1	1	1	1	1	1	
21	G	E12 G12 630	OUTDOOR HEAT EXCHANGER		1	1	1	1	1	1	1	1	1	1	1	1	
22	G	E12 G11 301	OUTDOOR FAN MOTOR	MF	1	1	1			1			1				RC0J50-□□
	G	E12 P03 301					1	1		1	1		1	1			
23	G	E12 927 937	CAPILLARY TUBE		1	1	1	1	1	1	1	1	1	1	1	1	ø3.0×ø2.0×240
24	G	E12 735 936	CAPILLARY TUBE		2	2	2	2	2	2	2	2	2	2	2	2	ø3.0×ø1.8×600
25	G	E12 838 704	DRAIN SOCKET		1	1	1	1	1	1	1	1	1	1	1	1	

# RoHS PARTS LIST

MUZ-EF42VE

## 1-10. OUTDOOR UNIT ELECTRICAL PARTS



# RoHS PARTS LIST

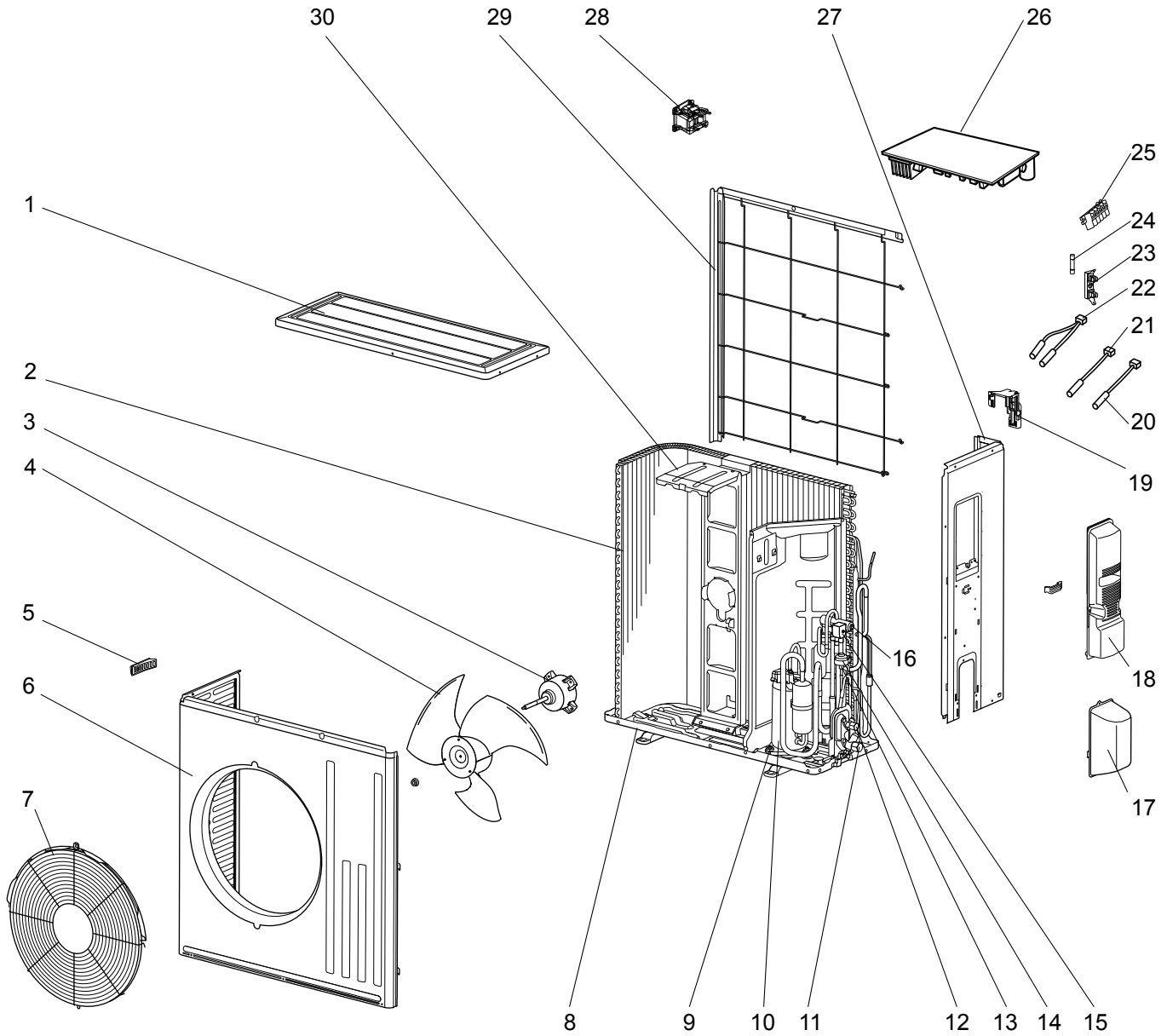
## 1-10. OUTDOOR UNIT ELECTRICAL PARTS

No.	RoHS	Part No.	Part Name	Symbol in Wiring Diagram	Q'ty/unit												Remarks
					MUZ-EF42												
					VE-E1	VE-E2	VE-E3	VE-E4	VE-E5	VE-ER3	VE-ER4	VE-ER5	VE-ET3	VE-ET4	VE-ET5		
1	G	E12 G11 337	REACTOR	L61	1	1	1	1	1	1	1	1	1	1	1	1	
2	G	E12 C34 306	THERMISTOR SET	RT61, RT62	1	1	1	1	1	1	1	1	1	1	1	1	DEFROST, DIS-CHARGE
3	G	E12 G10 309	AMBIENT TEMPERATURE THERMISTOR	RT65	1	1	1	1	1	1	1	1	1	1	1	1	
4	G	E12 C34 307	OUTDOOR HEAT EXCHANGER TEMPERATURE THERMISTOR	RT68	1	1	1	1	1	1	1	1	1	1	1	1	
5	G	E12 G10 490	R.V. COIL	21S4	1	1	1	1	1	1	1	1	1	1	1	1	
6	G	E12 735 241	FUSE HOLDER		1	1	1	1	1	1	1	1	1	1	1	1	
7	G	E12 735 382	FUSE	F61	1	1	1	1	1	1	1	1	1	1	1	1	T20AL250V
8	G	E12 T95 374	TERMINAL BLOCK	TB	1	1	1	1	1	1	1	1	1	1	1	1	5 P
9	G	E12 G12 451	INVERTER P.C. BOARD		1	1	1			1			1				Including heat sink and RT64
	G	E12 P05 451						1	1		1	1		1	1		

# RoHS PARTS LIST

MUZ-EF50VE

## 1-11. OUTDOOR UNIT STRUCTURAL PARTS, ELECTRICAL PARTS AND FUNCTIONAL PARTS



# RoHS PARTS LIST

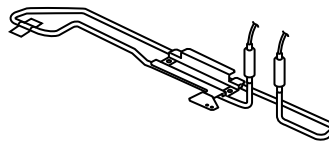
## 1-11. OUTDOOR UNIT STRUCTURAL PARTS, ELECTRICAL PARTS AND FUNCTIONAL PARTS

Part numbers that are circled are not shown in the illustration.

No.	RoHS	Part No.	Part Name	Symbol in Wiring Diagram	Q'ty/unit							Remarks
					MUZ-EF50							
					VE-E1	VE-E2	VE-E3	VE-ER2	VE-ER3	VE-ET2	VE-ET3	
1	G	E12 L87 297	TOP PANEL		1	1	1	1	1	1	1	
2	G	E12 G16 630	OUTDOOR HEAT EXCHANGER		1	1	1	1	1	1	1	
3	G	E12 G16 301	OUTDOOR FAN MOTOR	MF	1	1	1	1	1	1	1	RC0J60-□□
4	G	E12 F28 501	PROPELLER FAN		1	1	1	1	1	1	1	
5	G	E12 817 009	HANDLE		1	1	1	1	1	1	1	
6	G	E12 N87 232	CABINET		1	1	1	1	1	1	1	
7	G	E12 F73 521	FAN GUARD		1	1	1	1	1	1	1	Including ice guard
8	G	E12 F28 290	BASE		1	1	1	1	1	1	1	
9	G	E12 C34 506	COMPRESSOR RUBBER SET		3	3	3	3	3	3	3	3 RUBBERS/SET
10	G	E12 F28 900	COMPRESSOR	MC	1	1	1	1	1	1	1	SNB130FGBMT
11	G	E12 G16 661	STOP VALVE (GAS)		1	1	1	1	1	1	1	∅12.7
12	G	E12 G16 662	STOP VALVE (LIQUID)		1	1	1	1	1	1	1	∅6.35
13	G	E12 851 640	EXPANSION VALVE		1	1	1	1	1	1	1	
14	G	E12 F28 493	EXPANSION VALVE COIL	LEV	1	1	1	1	1	1	1	
15	G	E12 G16 490	R.V. COIL	21S4	1	1	1	1	1	1	1	
16	G	E12 C18 961	4-WAY VALVE		1	1	1	1	1	1	1	
17	G	E12 F28 650	VALVE COVER		1	1	1	1	1	1	1	
18	G	E12 G16 245	SERVICE PANEL		1	1	1	1	1	1	1	
19	G	E12 F28 079	THERMO HOLDER		1	1	1	1	1	1	1	
20	G	E12 G16 309	AMBIENT TEMPERATURE THERMISTOR	RT65	1	1	1	1	1	1	1	
21	G	E12 G16 307	OUTDOOR HEAT EXCHANGER TEMPERATURE THERMISTOR	RT68	1	1	1	1	1	1	1	
22	G	E12 G16 308	THERMISTOR SET	RT61,RT62	1	1	1	1	1	1	1	DEFROST, DISCHARGE
23	G	E12 735 241	FUSE HOLDER		1	1	1	1	1	1	1	
24	G	E12 735 382	FUSE	F61	1	1	1	1	1	1	1	T20AL250V
25	G	E12 T95 374	TERMINAL BLOCK	TB	1	1	1	1	1	1	1	5 P
26	G	E12 K36 451	INVERTER P.C. BOARD		1	1	1	1	1	1	1	Including heat sink and RT64
27	G	E12 F28 233	BACK PANEL (OUT)		1	1	1	1	1	1	1	
28	G	E12 D58 337	REACTOR	L61	1	1	1	1	1	1	1	
29	G	E12 L87 523	CONDENSER NET		1	1	1	1	1	1	1	
30	G	E12 F28 515	MOTOR SUPPORT		1	1	1	1	1	1	1	
③1	G	E12 527 936	CAPILLARY TUBE		1	1	1	1	1	1	1	∅4.0 × ∅2.4 × 100
③2	G	E12 F28 704	DRAIN SOCKET		1	1	1	1	1	1	1	

## 2-1. DEFROST HEATER

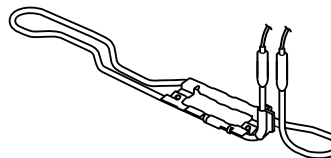
Model	Parts No.
MUZ-EF42VE	MAC-643BH-E



## Components

① Defrost heater	1	④ Cable tie	1	⑦ Wiring diagram	1
② Aluminum tape	1	⑤ Self drilling screw	2	⑧ Spec label	1
③ Heater support	1	⑥ Insulation	1		

Model	Parts No.
MUZ-EF50VE	MAC-644BH-E



## Components

① Defrost heater	1	④ Cable clamp	1	⑦ Spec label	1
② Heater support	1	⑤ Self drilling screw	2		
③ Insulation	1	⑥ Wiring diagram	1		

## NOTE:

- Attaching the Freeze-prevention heater "MAC-643BH-E Anti-Freeze Heater" (for drain pan) to MUZ-EF25/35VE requires installation of the INVERTER P.C. BOARD for MUZ-EF25/35VEH. Order the INVERTER P.C. BOARD for MUZ-EF25/35VEH as needed.
- Refer to the installation manual for the installation.

## MITSUBISHI ELECTRIC CORPORATION

HEAD OFFICE: TOKYO BLDG., 2-7-3, MARUNOUCHI, CHIYODA-KU, TOKYO 100-8310, JAPAN

© Copyright 2010 MITSUBISHI ELECTRIC CORPORATION  
 Distributed in Dec. 2015. No. OBB590 REVISED EDITION-F  
 Distributed in Oct. 2014. No. OBB590 REVISED EDITION-E  
 Distributed in Aug. 2014. No. OBB590 REVISED EDITION-D  
 Distributed in Jan. 2014. No. OBB590 REVISED EDITION-C  
 Distributed in Nov. 2012. No. OBB590 REVISED EDITION-B  
 Distributed in Mar. 2011. No. OBB590 REVISED EDITION-A  
 Distributed in Nov. 2010. No. OBB590  
 Made in Japan

New publication, effective Dec. 2015  
 Specifications are subject to change without notice.